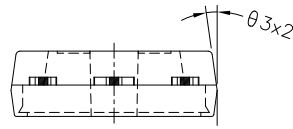
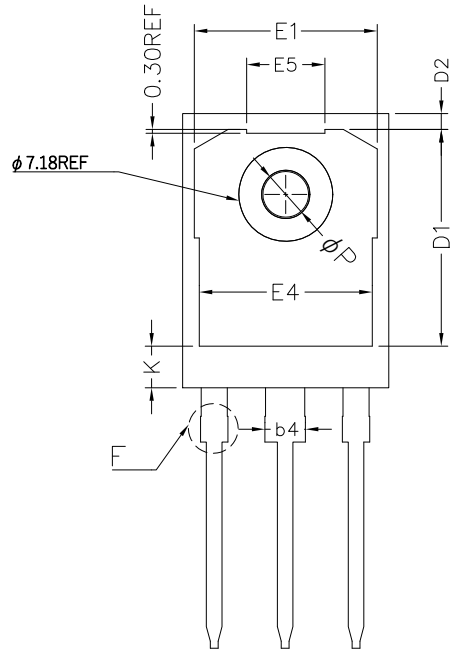


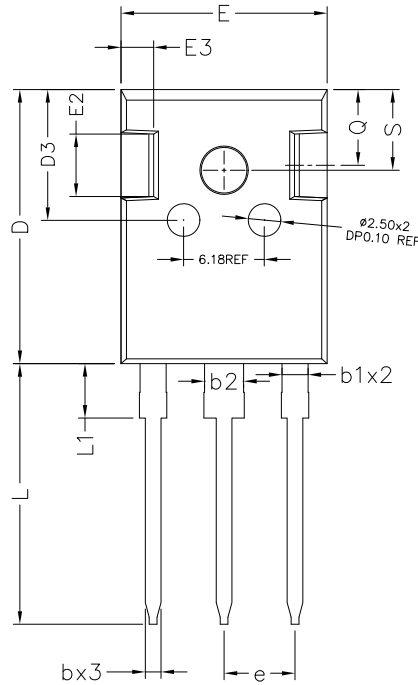
DETAIL F



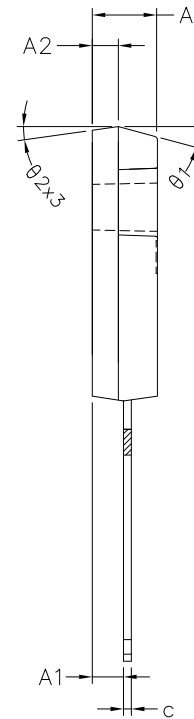
SIDE VIEW



BOTTOM VIEW



TOP VIEW



SIDE VIEW

REVERSION	REVERSION RECORD	DATE	NAME
A	NEW DRAW	2022.09.30	ChenYJ

COMMON DIMENSIONS
(UNITS OF MEASURE IS mm)

	MIN	NORMAL	MAX
A	4.900	5.000	5.100
A1	2.300	2.400	2.500
A2	1.900	2.000	2.100
b	1.070	1.200	1.330
b1	1.910	2.000	2.160
b2	2.870	3.000	3.160
b3	1.910	2.100	2.410
b4	2.870	3.000	3.380
c	0.550	0.600	0.680
D	20.000	21.000	21.100
D1	16.250	16.950	17.650
D2	1.200REF		
D3	10.000REF		
E	15.700	15.800	15.900
E1	13.100	14.020	14.150
E2	3.680	—	5.100
E3	1.000	—	1.900
E4	12.380	13.260	13.430
E5	5.990REF		
e	5.440BSC		
L	19.810	19.950	20.320
L1	4.100	—	4.400
phi P	3.500	—	3.650
Q	5.490	—	6.000
S	6.040	—	6.300
theta 1	15.0°REF		
theta 2	8.0°REF		
theta 3	8.0°REF		
K	3.190REF		



深圳市金誉半导体股份有限公司
SHENZHEN JINYU SEMICONDUCTOR CO.,LTD

T0-247

THIRD ANGLE PROJECTION			
TOLERANCE			
0	0.0	0.00	0.000

SCALE	1:1	UNIT	mm
APPROVALS			DATE
DESIGNER	ChenYJ	2022.09.30	
CHECKER	XieWH	2022.09.30	
APPROVER	LinHB	2022.09.30	

DRG NO.	JY-POD-67	REV: A
FILE NO.	JY-RE-022-67	SHEET:1 OF 1