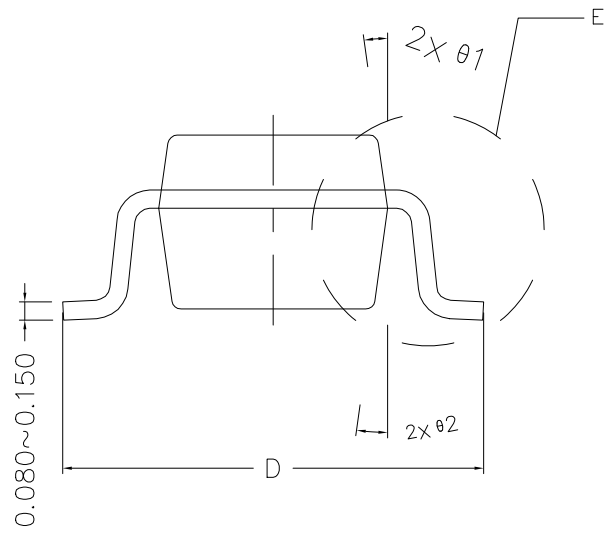
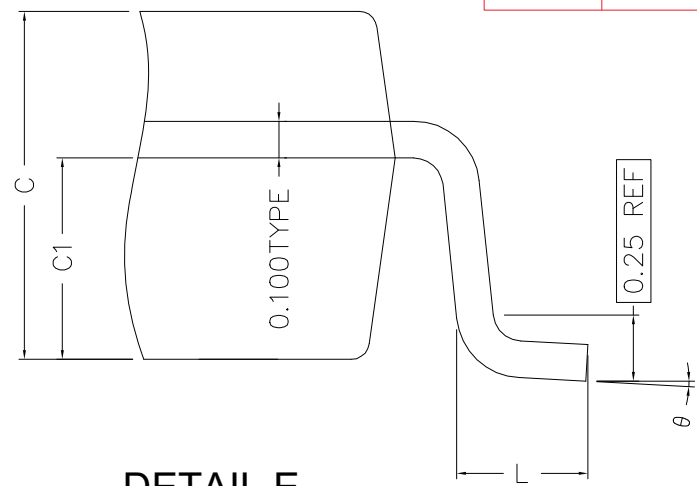


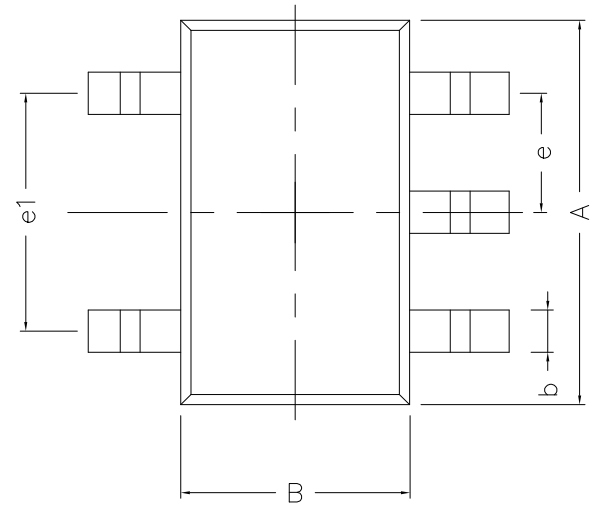
REVERSION	REVERSION RECORD	DATE	NAME
A	NEW DRAW	2021.08.25	ChenYJ
B	UPDATE b Dimension	2022.04.15	ChenYJ



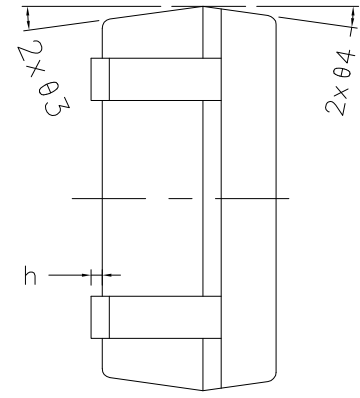
SIDE VIEW



DETAIL E



TOP VIEW



SIDE VIEW

COMMON DIMENSIONS (UNITS OF MEASURE IS mm)			
	MIN	NORMAL	MAX
A	2.000	2.100	2.200
B	1.150	1.250	1.350
C	0.900	0.950	1.000
C1	0.500	0.550	0.600
D	2.100	2.300	2.500
L	0.220	0.360	0.500
Δ_B b	0.200	0.250	0.400
h	0.020	0.050	0.100
e	0.650 TYPE		
e1	1.300 TYPE		
θ_1	8° TYPE		
θ_2	8° TYPE		
θ_3	8° TYPE		
θ_4	8° TYPE		
θ	0~8° TYPE		



深圳市金誉半导体股份有限公司
SHENZHEN JINYU SEMICONDUCTOR CO.,LTD

SOT-353

THIRD ANGLE PROJECTION				SCALE	1:1	UNIT	mm
TOLERANCE				DESIGNER		ChenYJ	DATE
0	0.0	0.00	0.000	CHECKER		XieWH	2022.04.15
				APPROVER		LinHB	2022.04.15

DRG NO.	JY-POD-42	REV: B
FILE NO.	JY-RE-022-42	SHEET:1 OF 1