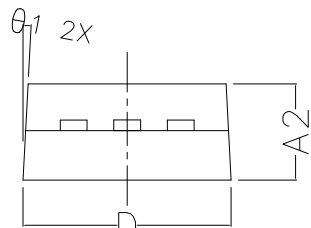
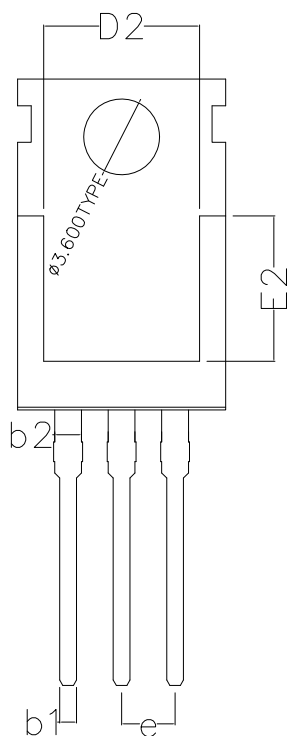


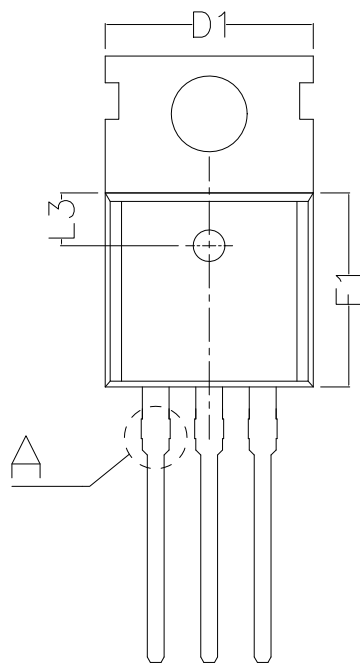
DETAIL A



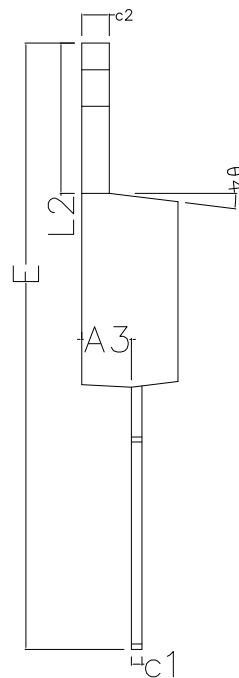
SIDE VIEW



BOTTOM VIEW



TOP VIEW



REVERSION	REVERSION RECORD	DATE	NAME
A	NEW DRAW	2019/1/12	Kang
B	UPDATE D,D1,D2,E,E1,E2 DIMENSION	2022/4/20	ChenYJ

COMMON DIMENSIONS
(UNITS OF MEASURE IS mm)

	MIN	NORMAL	MAX
A2	4.470	4.570	4.670
A3	2.300	2.350	2.400
b1	0.750	0.800	0.850
b2	1.27 TYPE		
c1	0.450	0.500	0.550
c2	1.250	1.300	1.380
▲ D	9.900	10.000	10.100
▲ D1	10.000TYPE		
▲ D2	8.000TYPE		
▲ E	28.660	28.860	29.060
▲ E1	9.000	9.100	9.200
▲ E2	7.000TYPE		
e	2.540TYPE		
L2	6.350	6.500	6.650
L3	2.50TYPE		
theta_1	3° TYPE		
theta_2	3° TYPE		
theta_3	7° TYPE		
theta_4	7° TYPE		



深圳市金誉半导体股份有限公司
SHENZHEN JINYU SEMICONDUCTOR CO.,LTD

T0-220

THIRD ANGLE PROJECTION				SCALE	1:1	UNIT	mm
TOLERANCE				APPROVALS		DATE	
0	0.0	0.00	0.000	DESIGNER	ChenYJ	2022.4.20	
				CHECKER	XieWH	2022.4.20	
				APPROVER	LinHB	2022.4.20	

DRG NO.	JY-POD-21	REV: B
FILE NO.	JY-RE-022-21	SHEET: 1 OF 1