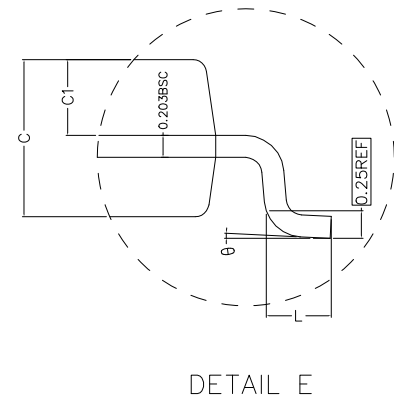
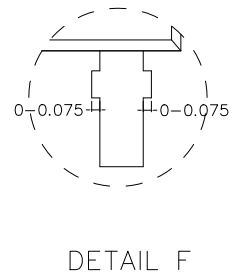
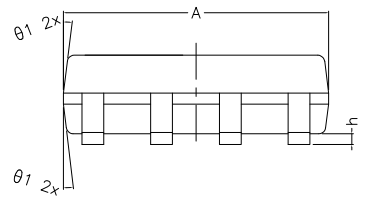
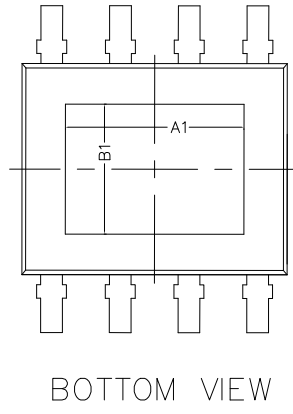
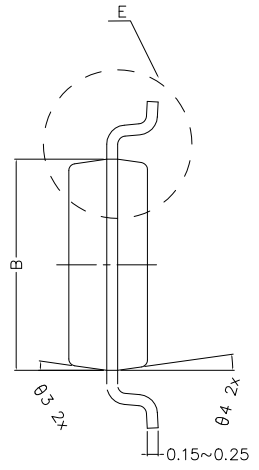
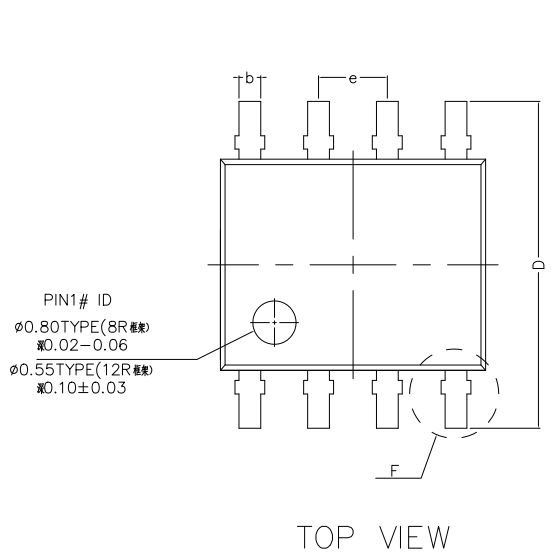


REVERSION	REVERSION RECORD	DATE	NAME
A	NEW DRAW	2021/7/2	ChenYJ
B	UPDATE 'D' 'h' 'L' DIMENSION RANGE	2022/1/7	ChenYJ
C	UPDATE 'D' DIMENSION RANGE	2022/11/8	ChenYJ

COMMON DIMENSIONS
(UNITS OF MEASURE IS mm)

	MIN	NORMAL	MAX
A	4.800	4.900	5.000
B	3.800	3.900	4.000
C	1.350	1.450	1.550
C1	0.650	0.700	0.750
Δ D	5.800	6.000	6.200
A1	3.200	3.300	3.400
B1	2.300	2.400	2.500
Δ L	0.450	0.600	0.750
b	0.350	0.400	0.450
Δ h	0.030	0.070	0.100
e	1.270TYPE		
θ_1	7° TYPE(8R)		12° TYPE(12R)
θ_2	7° TYPE(8R)		10° TYPE(12R)
θ_3	8° TYPE(8R)		12° TYPE(12R)
θ_4	8° TYPE(8R)		10° TYPE(12R)
θ	0° ~ 8°		



深圳市金誉半导体股份有限公司
 SHENZHEN JINYU SEMICONDUCTOR CO.,LTD

ESOP8

 THIRD ANGLE PROJECTION				SCALE	1:1	UNIT	mm
TOLERANCE				DESIGNER		DATE	
0	0.0	0.00	0.000	ChenYJ		2022.11.8	
				CHECKER		2022.11.8	
				APPROVER		2022.11.8	
				LinHB			

DRG NO.	JY-POD-11	REV: C
FILE NO.	JY-RE-022-11	SHEET: 1 OF 1